

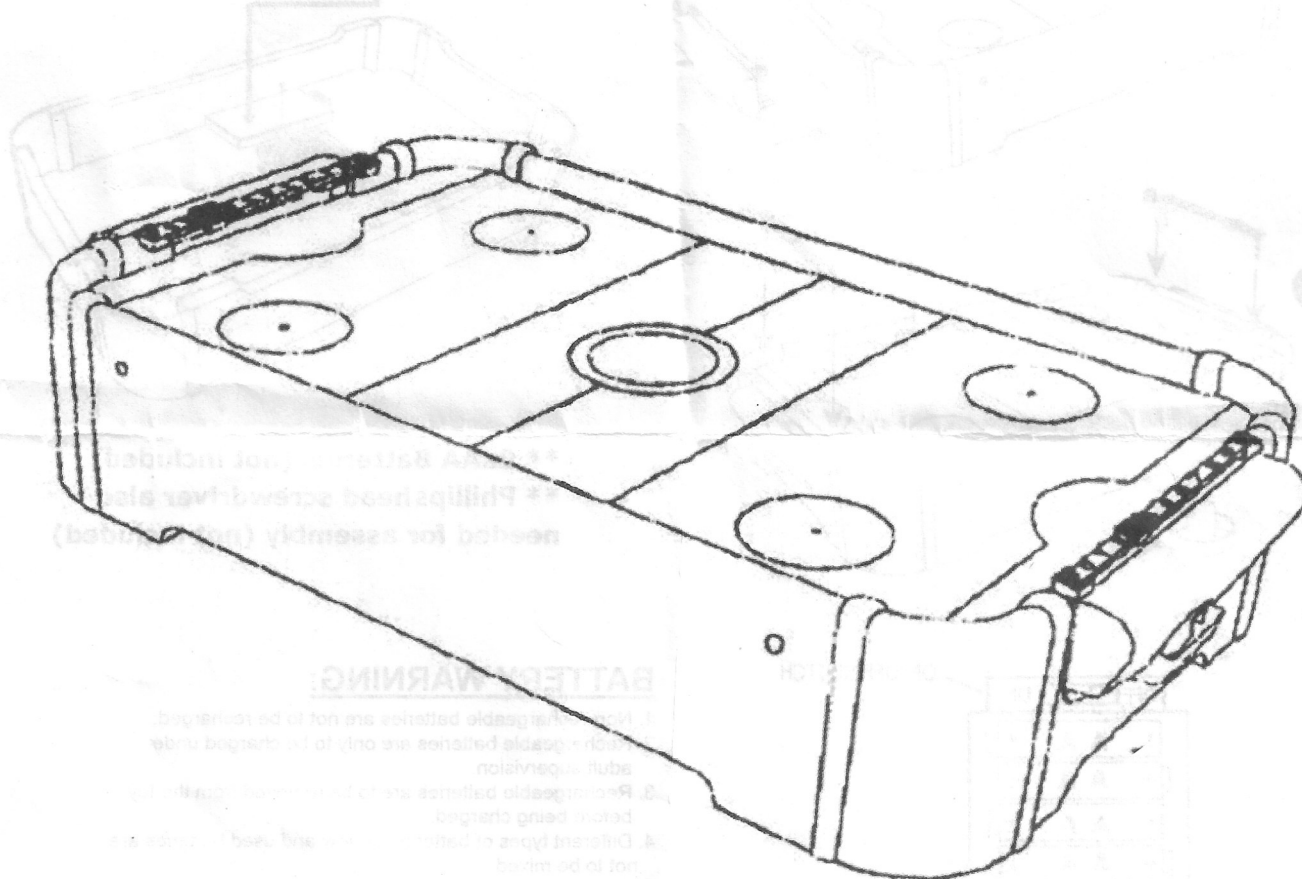


HY-PRO®

Table Top Air Hockey

Assembly Instruction

Item No: HP05015

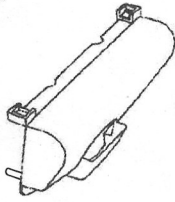
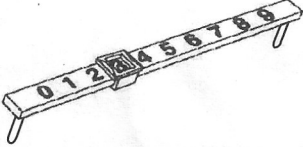
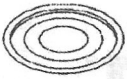
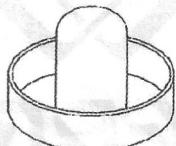


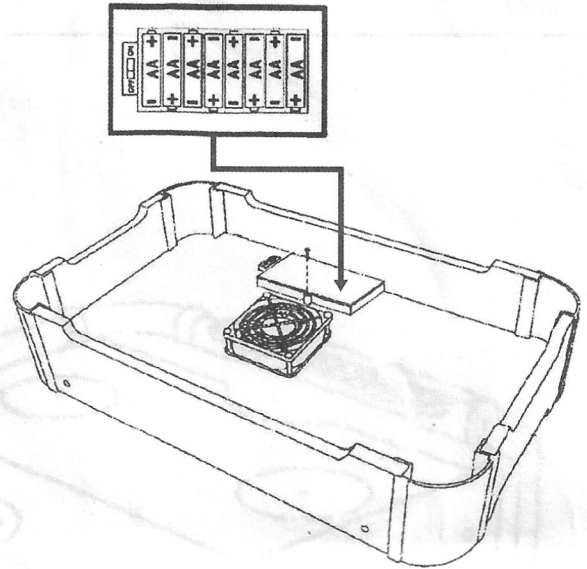
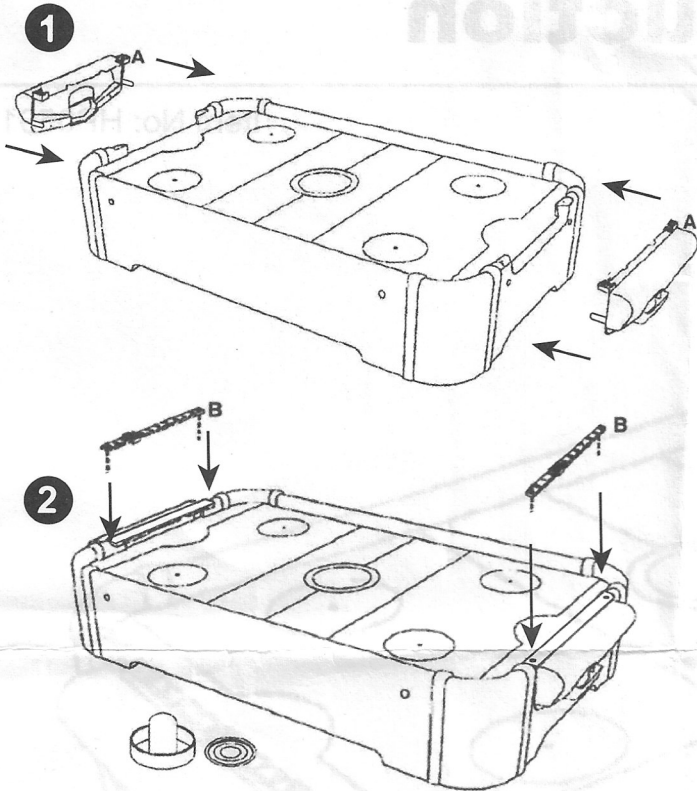
IMPORTANT!

Please keep your instructions. Before attempting assembly, please read through this instruction book to familiarise yourself with all the parts and assembly steps.

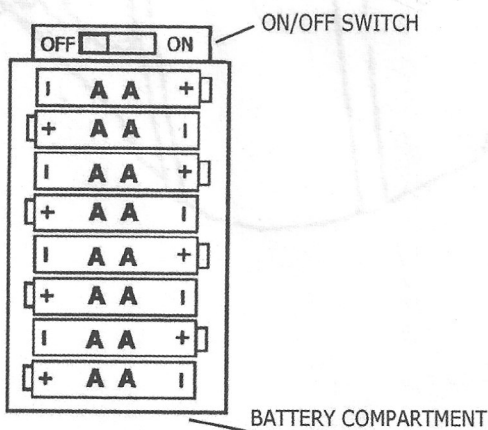
We recommend that two adults assemble this game. Please refer to the Parts List inside and be sure that all parts have been included. You will need a spanner and screwdriver (not included) to assemble.

If you have a problem with this product we want to help, for assistance, please call +44(0)800 731 0006

			
2PCS	2PCS	2PCS	2PCS



**** 8xAA Batteries (not included)**
**** Phillips head screwdriver also needed for assembly (not included)**



8 x 1.5V AA BATTERIES

BATTERY WARNING:

1. Non-rechargeable batteries are not to be recharged.
2. Rechargeable batteries are only to be charged under adult supervision.
3. Rechargeable batteries are to be removed from the toy before being charged.
4. Different types of batteries or new and used batteries are not to be mixed.
5. Batteries are to be inserted with the correct polarity.
6. Exhausted batteries are to be removed from the toy.
7. The supply terminals are not to be short-circuited.



WARNING: Choking Hazard - This product contains small parts. Not suitable for children under 3 years.

- Caution! Adult assembly required.
- Sharp point on screws; unpack and assemble with care. Keep small parts and polybag away from children during and after assembly. You need a spanner and screwdriver (not included) to assemble.

Need help? Visit our website for replacement parts and product support www.hy-pro.co.uk/games-tables or call our customer service line on +44 (0)800 731 0006

©Hy-Pro Sports 2019
 Manufactured by
 Hy-Pro International
 Hy-Pro House, Centrus Park, Arenson Way,
 Dunstable, Bedfordshire, LU5 5BN, UK

Unit 16-37, 5/F, Beverley Commercial Centre
 NO 87-105 Chatham Road South
 Tsim Sha Tsui, Kowloon, Hong Kong

Made in China